



HELAIAN PEMERIKSAAN DIMENSI

Form No. : QSF01-067-07

Issue No : 4 Rev. 0

Page 1 of 1

SEKSYEN TEKNOLOGI FAUNDRI

Dimensi pencorak

Dimensi produk

Nama pelanggan : Ammp, Um - Gantry Machine

No. Lukisan :

Nama Produk : PM 2013 - MD3 - 2 x

Tarikh : 22/7/13 - 23/8/13

No.Salinan :

Point	Spec.	Actual	Result
1.	230.0	230.0	
2.	190.0	191.0	
3.	99.7	101.6	
4.	99.7	101.6	
5.	150.0	147.8	
6.	45.9	46.2	
7.	140.0	138.9	
8.	190.0	189.5	
9.	230.0	229.3	
10.	195.9	198.0	
11.	174.1	171.0	
12.	25.0	27.2	
13.	20.2	19.2	
14.	10.0	10.0	
15.	20.0	19.0	
16.	250.0	250.1	

Point	Spec.	Actual	Result
17.	20.2	19.2	
18.	25.0	27.2	
19.	20.0	19.0	
20.	35.0	39.0	
21.	53.4	54.7	
22.	120.0	124.0	
23.	140.0	138.5	
24.	370.0	366.5	
25.	40.0	40.2	
26.	75.0	73.8	
27.	216.5	215.0	
28.	80.0	79.0	
29.	75.0	76.0	
30.	113.5	112.5	

Keputusan :

Ulasan :

Disediakan oleh :

Diperiksa oleh :

Tandatangan : [Signature]

Tandatangan : [Signature]

Nama : Alias B. Idris

Nama : Kamarullail B. Mahad

Jawatan : Technician

Jawatan : Senior Assistant Researcher

Tarikh : Plant Design & Engineering Centre

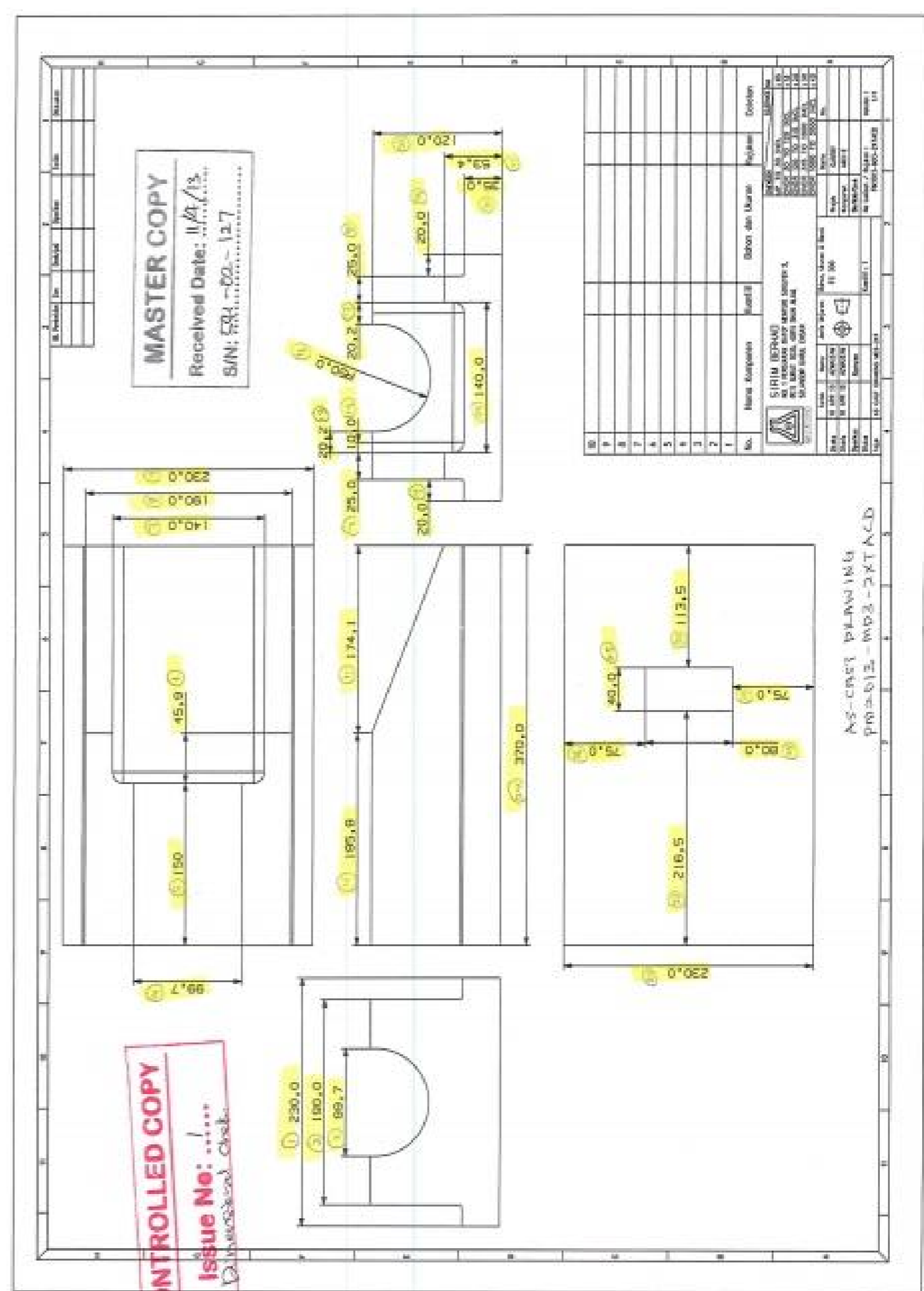
Tarikh : Foundry Technology Section

SIRIM Berhad

Plant Design & Engineering Centre

23/8/13

23/8/13



AS-CRST BILANGAN  
PM-013-MD3-2T ACD

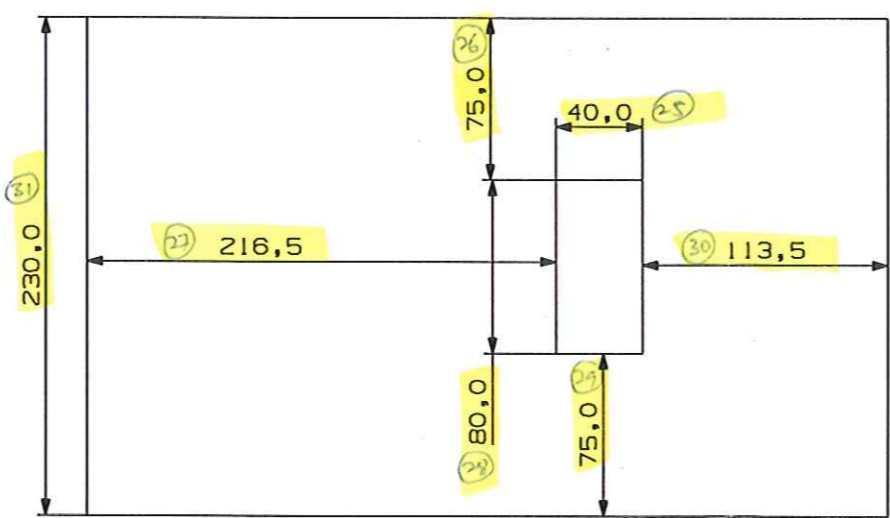
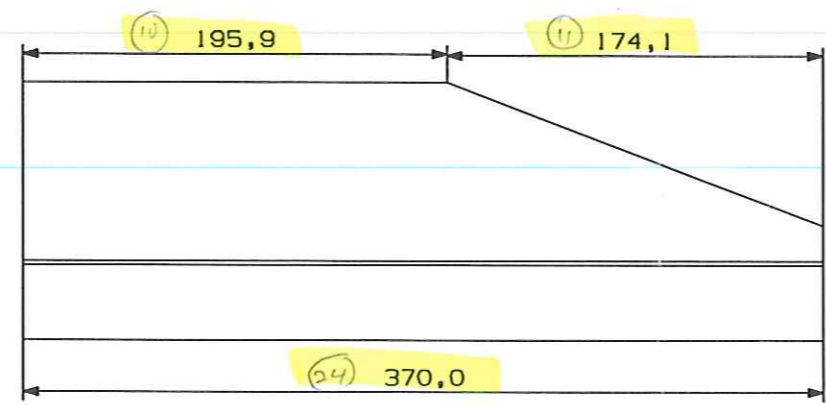
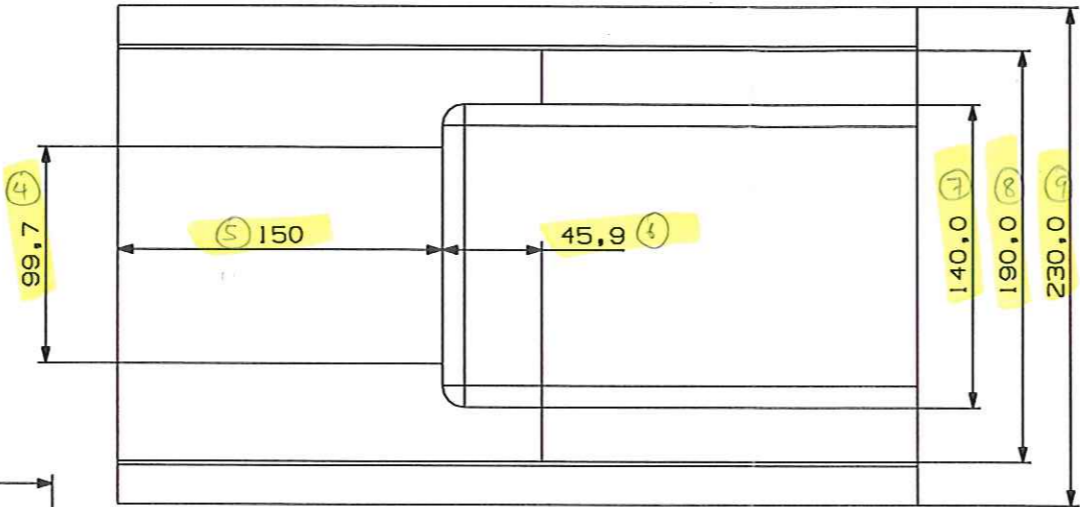
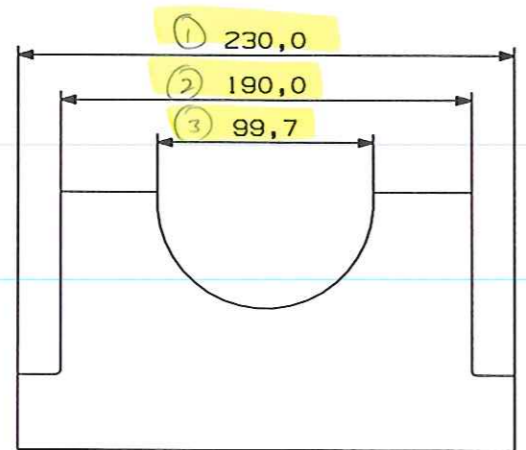
Bl. Pembetulan	Zon	Deskripsi	Diperiksa	Tarikh	Dibuatkan

**MASTER COPY**

Received Date: 11/4/13

S/N: 541-02-127

**CONTROLLED COPY**  
 Issue No: .....  
 Dimensional check.



10					
9					
8					
7					
6					
5					
4					
3					
2					
1					

No.	Nama Komponen	Kuantiti	Bohan dan Ukuran	Rujukan	Catatan



**SIRIM BERHAD**  
 NO. 1 PERSIARAN DATO' MENTERI SEKSYEN 2,  
 PETI SURAT 7035, 40911 SHAH ALAM,  
 SELANGOR DARUL EHSAN

DIMENSION	TOLERANCE	MM
UP TO 30 INCL		± 0.5
OVER 30 TO 120 INCL		± 1.0
OVER 120 TO 315 INCL		± 2.0
OVER 315 TO 1000 INCL		± 3.0
OVER 1000 TO 2000 INCL		± 4.0

	Tarikh	Nama	Jenis Unjuran	Bohan, Ukuran & Berat	Nama	No.
Direka	10 APR 13	AZMAIZAM		FC 300	Projek	GANTRY
Dikalis	10 APR 13	AZMAIZAM			Komponen	MD3-2
Diperiksa		Ramzee			Be/Melu/Cara	
Dihulus				Kuantiti : 1	No Lukisan / Rujukan :	MD3-2XTACD
Tojok						Halaman : 1/1

AS-CAST DRAWING  
 PM2013-MD3-2XTACD