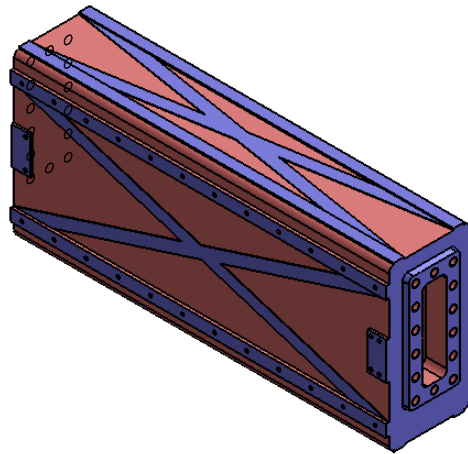
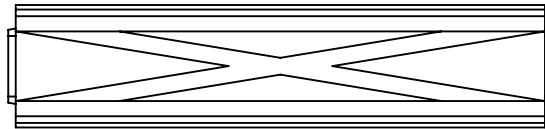
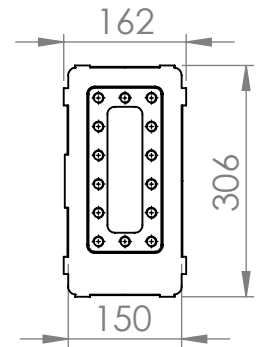
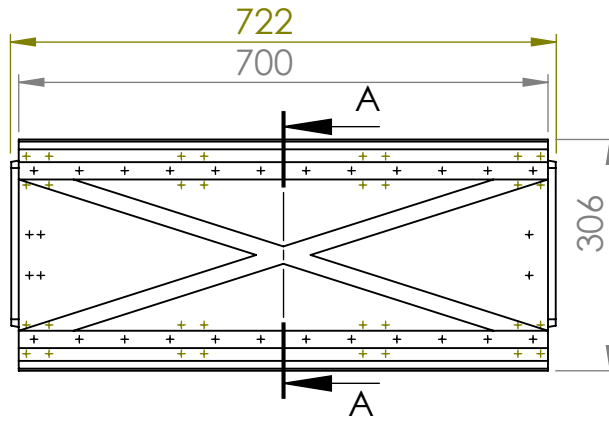


SECTION A-A



UNLESS OTHERWISE SPECIFIED:
DIMENSIONS ARE IN MILLIMETERS
SURFACE FINISH:
TOLERANCES:
LINEAR:
ANGULAR:

Designer:
Seyed Reza Besharati

DEBUR AND
BREAK SHARP
EDGES

DO NOT SCALE DRAWING

A1-218

University Of Malaya(UM)

| | NAME | SIGNATURE | DATE |
|--------|-------------------|-----------|--------------------------|
| DRAWN | S. Reza Besharati | | |
| CHK'D | Dr. J. Akbari | | |
| APPV'D | Dr. A. Sarhan | | |
| MFG | | | |
| QA | | | |
| | | | MATERIAL: Gray cast Iron |
| | | | WEIGHT: |

| | |
|--|--------------|
| Project Title: DESIGN AND MANUFACTURING OF A NEW CNC GANTRY MACHINE WITH DOUBLE MOTION FEED DRIVE SYSTEM | |
| DWG NO. Crossbeam-CNC-G.M-V1-No.04-1 | A4 |
| SCALE: | SHEET 1 OF 1 |