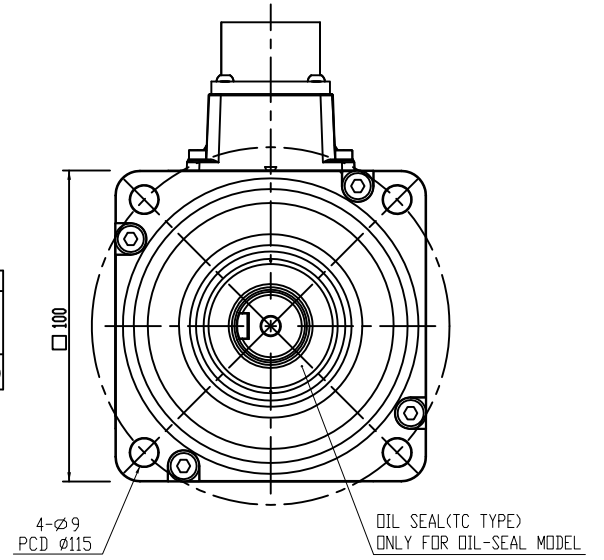
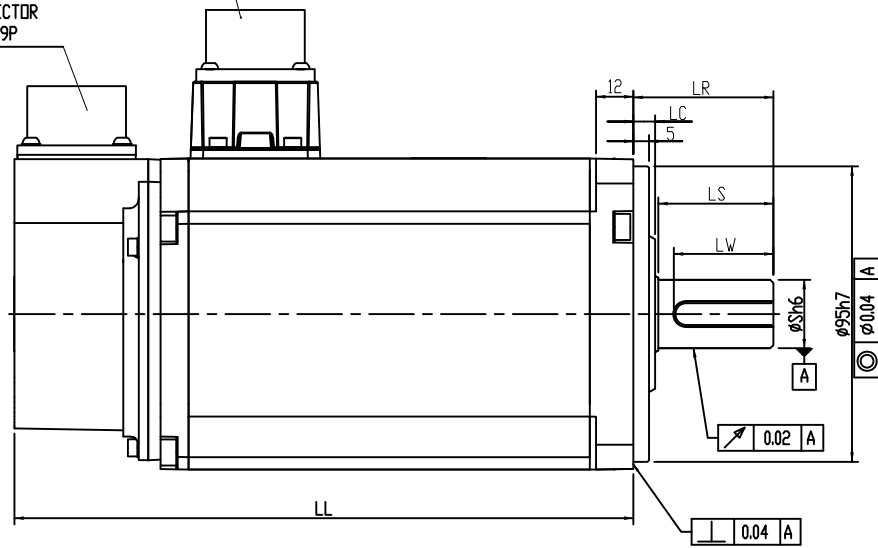


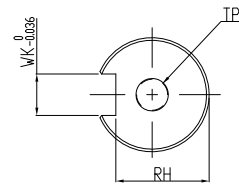
ENCODER CONNECTOR
MS3102A20-29P

MOTOR CONNECTOR
MS3102A20-18P

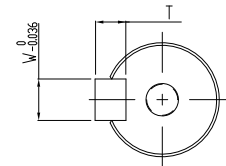


DIMENSION TABLE (MODEL WITHOUT BRAKE)

MODEL	LL	LR	LS	LC	S	LW	WK	W	T	RH	TP
ECMA-C□1010AS	153.25	45	37.0	7	22	—	—	—	—	—	M6, Depth 20
ECMA-C□1010CS						—	—	—	—	—	—
ECMA-C□1010ES						32	8	8	7	18	—
ECMA-C□1010GS						32	8	8	7	18	—
ECMA-C□1010PS						32	8	8	7	18	M6, Depth 20
ECMA-C□1010RS	199	45	37.0	7	22	—	—	—	—	—	M6, Depth 20
ECMA-C□1020AS						—	—	—	—	—	—
ECMA-C□1020CS						—	—	—	—	—	—
ECMA-C□1020ES						32	8	8	7	18	—
ECMA-C□1020GS						32	8	8	7	18	—
ECMA-C□1020PS	32	8	8	7	18	M6, Depth 20					
ECMA-C□1020RS	—	—	—	—	—	—	—	—	—	—	—



SHAFT END DETAILS



KEY DETAILS

台達電子工業股份有限公司 DELTA ELECTRONICS, INC.	DRAWN:	DESIGN:
	DATE:	ECN NO.:
THESE DRAWINGS AND SPECIFICATIONS ARE THE PROPERTY OF DELTA ELECTRONICS, INC. AND SHALL NOT BE REPRODUCED OR USED AS THE BASIS FOR THE MANUFACTURE OR SELL OF APPARATUS OR DEVICES WITHOUT PERMISSION.	DIMENSIONAL TOLERANCES () () () ANGLES DECIMALS 0~4 ±0.05 <50 ±0.1 <50 ±0.5 <30° ±0.1° X ±0.3 4~16 ±0.08 >50~100 ±0.15 >50~100 ±1.0 >30°~60° ±0.3° X.X ±0.2 16~63 ±0.12 >100~200 ±0.2 >100~200 ±1.5 >60°~90° ±0.5° X.XX ±0.1 63~200 ±0.2 >200~ ±0.2% >200~ ±0.3%	
	DRAWING NAME: MOTOR_F100	A3 SIZE THIRD ANGLE PROJECTION
USED ON	UNIT mm	SHEET 1 OF 1